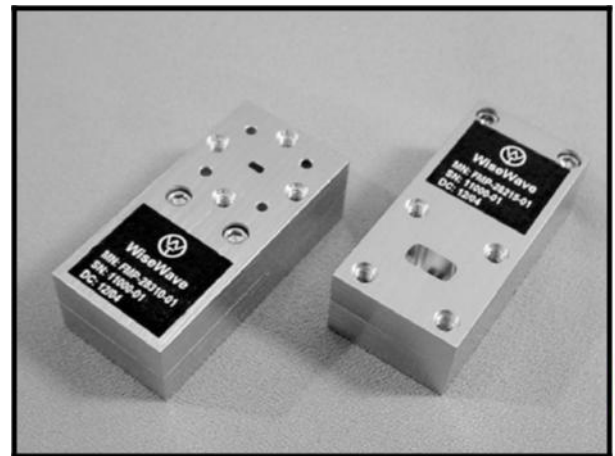


FEATURES

- ❖ High output power
- ❖ Full waveguide bandwidth
- ❖ Or narrow band with higher output power
- ❖ Low conversion loss
- ❖ Frequency up to 110 GHz

APPLICATIONS

- ❖ Frequency extenders
- ❖ Test set
- ❖ Local oscillators
- ❖ Subsystems



FMP Series

DESCRIPTION

FMP series of passive frequency multipliers utilize high performance GaAs Schottky beamlead diodes and balanced configuration to produce an extremely broad bandwidth performance. The multipliers cover the output frequency range of 18 to 110 GHz with seven waveguide bands. The balanced design enhances either even or odd harmonics while suppressing unwanted odd or even harmonics. External bias is not required for ease system integration. The maximum input power for these standard units are rated at +23 dBm. While SMA or K female coaxial connector is equipped for input and waveguide for output interface, WR-28 waveguide input is available as an option for V band doubler and W band tripler design.

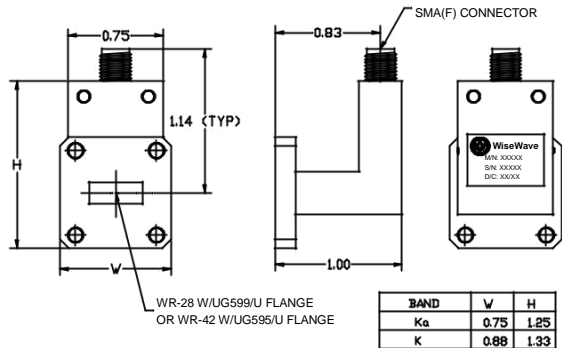
Ducommun Technologies also offers passive frequency multipliers with higher output power and narrower bandwidth by utilizing high performance GaAs Schottky beamlead diodes. These diodes offer several GHz of bandwidth with 10 dB typical conversion loss. Contact your factory for detailed requirements.

STANDARD PASSIVE MULTIPLIER SPECIFICATIONS (Input Power: 20 dBm)

Model Number	Output Freq. (GHz)	Multiplying Factor	Input Freq. (GHz)	Output Power (dBm, Min)	Output Waveguide	Input Connector	Outline Drawings
FMP-SF242-01	18.0-26.5	X 2	9.00-13.25	6.0	WR-42	SMA(F)	WT-F-7
FMP-SF228-01	26.5-40.0	X 2	13.25-20.00	5.0	WR-28	SMA(F)	WT-F-7
FMP-SF328-01		X 3	8.67-13.33	3.0	WR-28	SMA(F)	WT-F-7
FMP-SF322-01	33.0-50.0	X 3	11.00-16.67	3.0	WR-22	SMA(F)	WT-F-7
FMP-SF319-01	40.0-60.0	X 3	13.33-20.00	2.0	WR-19	SMA(F)	WT-F-7
FMP-KF215-01	50.0-75.0	X 2	25.00-37.50	3.0	WR-15	K(F)	WT-F-7
FMP-28215-01		X 2	25.00-37.50	3.0	WR-15	WR-28	WT-F-6
FMP-KF315-01		X 3	16.67-25.00	0.0	WR-15	K(F)	WT-F-7
FMP-KF312-01	60.0-90.0	X 3	20.00-30.00	-1.0	WR-12	K(F)	WT-F-7
FMP-KF310-01	75.0-110.0	X 3	25.00-36.67	-3.0	WR-10	K(F)	WT-F-7
FMP-28310-01		X 3	25.00-36.67	-3.0	WR-10	WR-28	WT-F-6
Temperature Range				0 to +50°C			

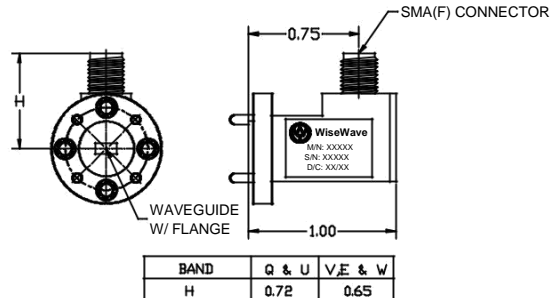
Frequency Converter Outline Drawings #1

WT-F-1



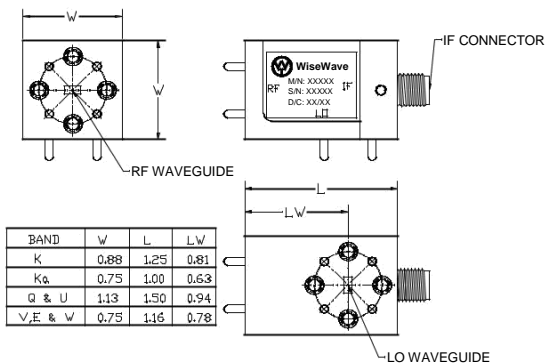
Dimensions are in inches

WT-F-2



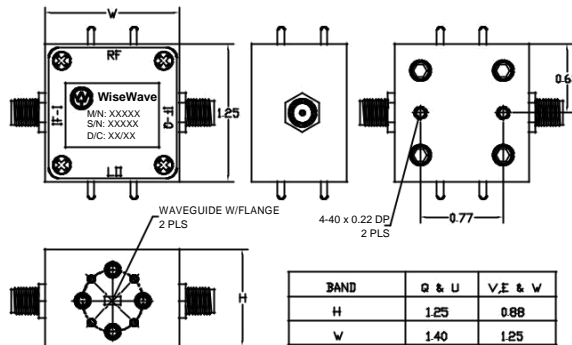
Dimensions are in inches

WT-F-3



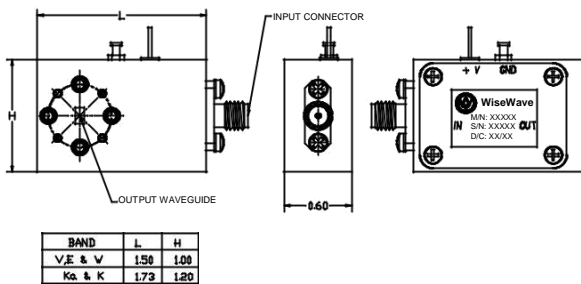
Dimensions are in inches

WT-F-4



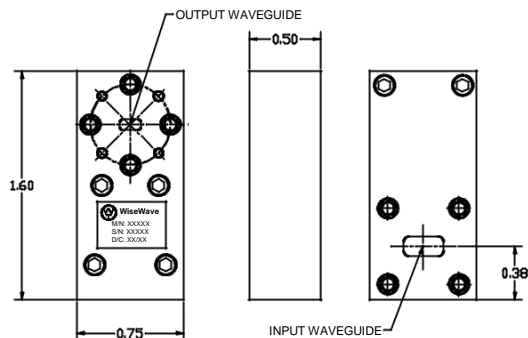
Dimensions are in inches

WT-F-5



Dimensions are in inches

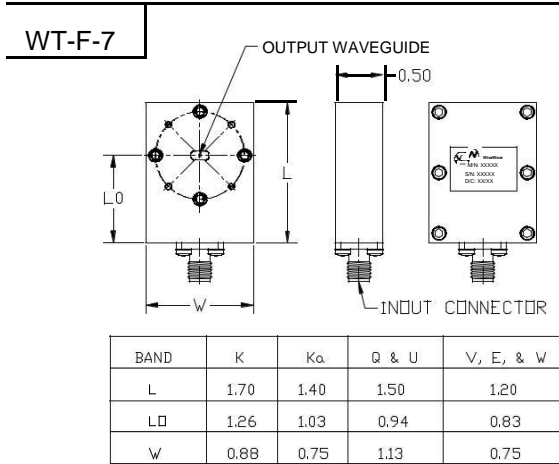
WT-F-6



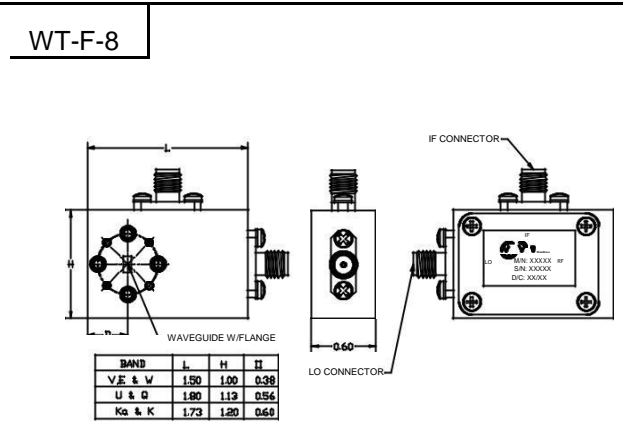
Dimensions are in inches

The flange pattern shown is for illustration purpose. Refer to Technical Reference Section for flange pattern details. The outline drawings shown are standard versions. Contact factory for your specific package requirements.

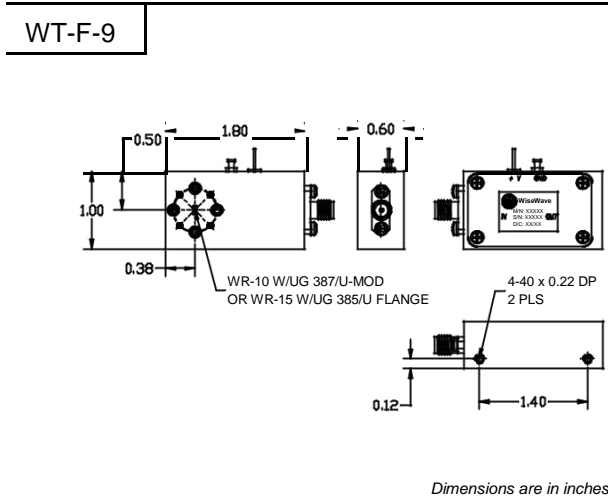
Frequency Converter Outline Drawings #2



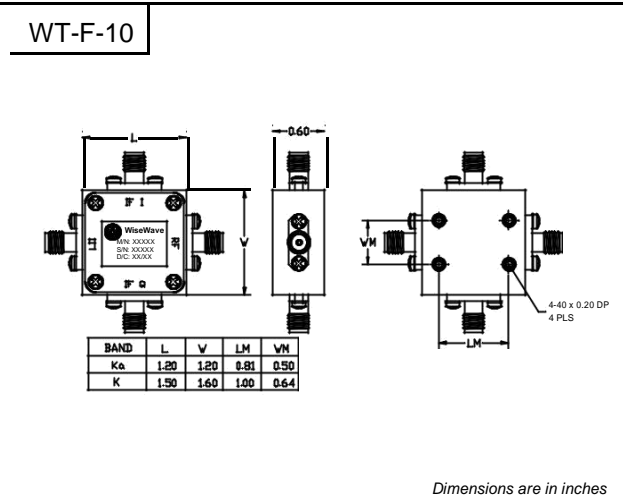
Dimensions are in inches



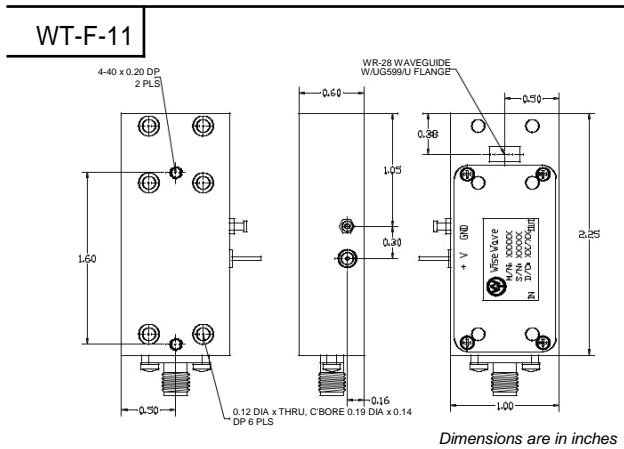
Dimensions are in inches



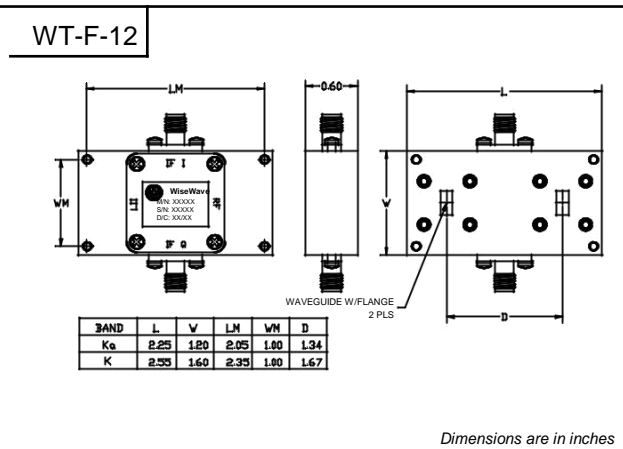
Dimensions are in inches



Dimensions are in inches



Dimensions are in inches



Dimensions are in inches

The flange pattern shown is for illustration purpose. Refer to Technical Reference Section for flange pattern details. The outline drawings shown are standard versions. Contact factory for your specific package requirements.