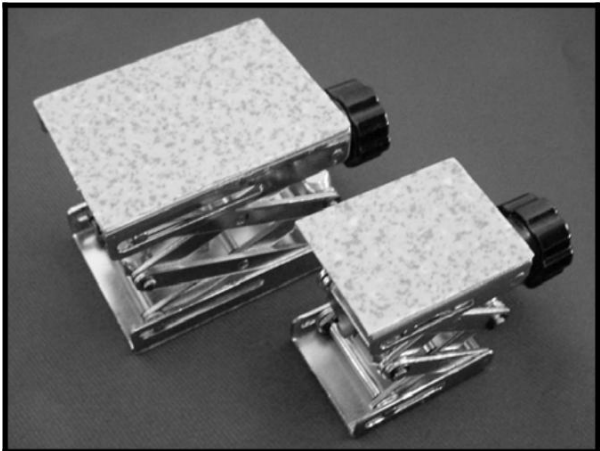


FEATURES

- ❖ Rugged configuration
- ❖ Smooth adjustment
- ❖ Top and bottom plate skid pads
- ❖ Four size selections

APPLICATIONS

- ❖ Laboratory setup supporting
- ❖ Waveguide system supporting



WTJ Series

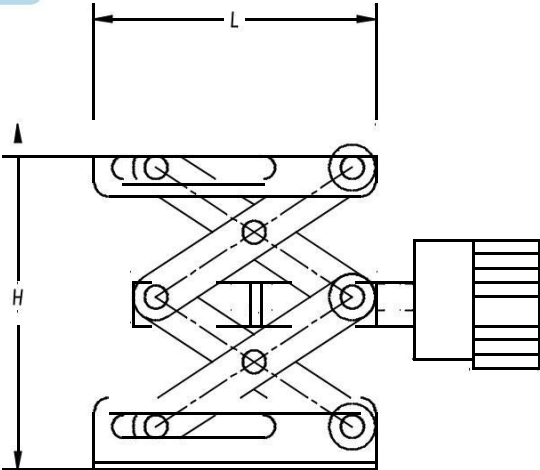
DESCRIPTION

WTJ series jacks are offered in four table size to provide total flexibility of waveguide or module supporting or positioning requirements in the laboratory environment. These jacks are engineered for smooth and continuous height adjustment through their height range. They are constructed with chromed steel and anti-skid pads to offer stable, slipping and scratch free support.

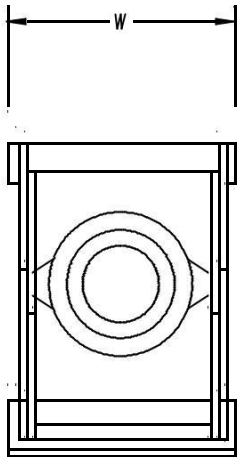
SPECIFICATIONS

Model Number	WTJ-050040-02	WTJ-075055-02	WTJ-100075-02	WTJ-140100-02
Table Size (L x W)	50 x 40 mm	75 x 55 mm	100 x 75 mm	140 x 100 mm
Elevation Height (H)	37 - 93 mm	37 - 138 mm	43 - 182 mm	52 - 255 mm

OUTLINE DRAWING

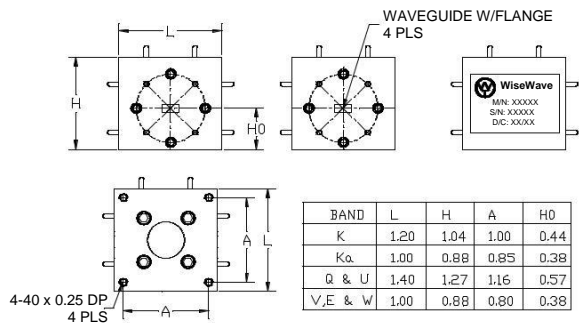


Outline: WT-E-A6



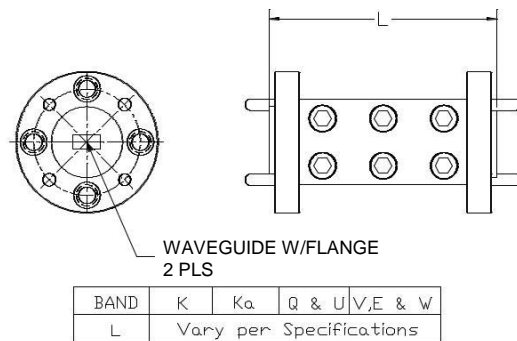
Passive Component Outline Drawings #1

WT-E-1



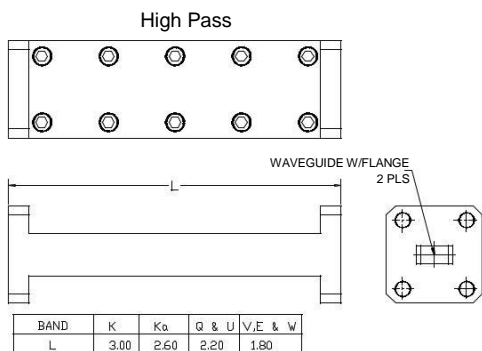
Dimensions are in inches

WT-E-2



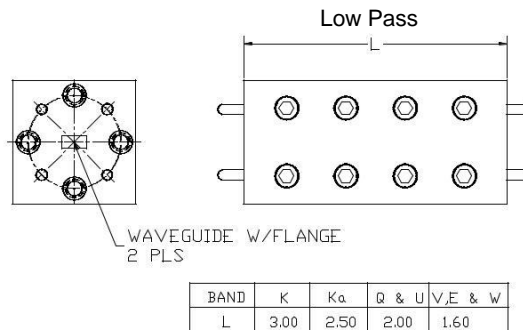
Dimensions are in inches

WT-E-3



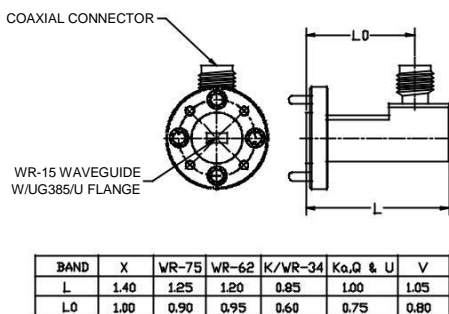
Dimensions are in inches

WT-E-4



Dimensions are in inches

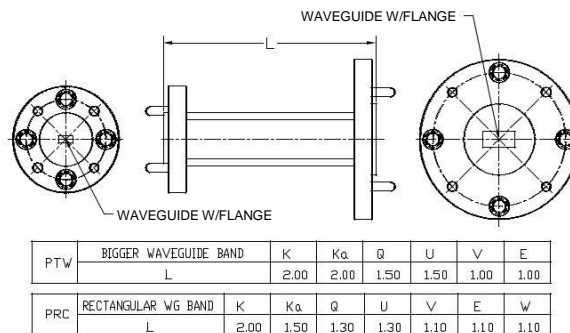
WT-E-5



NOTES:
BOTH MALE AND FEMALE COAXIAL CONNECTORS ARE AVAILABLE FOR ALL BANDS

Dimensions are in inches

WT-E-6



Dimensions are in inches

The flange pattern shown is for illustration purpose. Refer to Technical Reference Section for flange pattern details. The outline drawings shown are standard versions. Contact factory for your specific package requirements.

Passive Component Outline Drawings #2

WT-E-7

BAND	K	Ka	Q	U	V	E	W
L	1.20	1.00	1.30	1.30	1.00	1.00	1.00
W	1.20	1.00	1.30	1.30	1.00	1.00	1.00
H	1.06	0.90	1.25	1.23	0.83	0.82	0.81

Dimensions are in inches

WT-E-8

Band	X	VR-75	Ku	K	Ka	Q	U	V	E	W
L	5.46	4.80	4.66	4.24	3.46	3.26	2.66	2.56	2.56	2.46
A	1.73	1.65	1.58	1.52	1.23	1.23	0.98	0.98	0.98	0.98
D	0.45	0.43	0.35	0.21	0.18	0.15	0.13	0.11	0.10	0.09
H	3.46	3.30	3.16	3.04	2.46	2.46	1.96	1.96	1.96	1.96

Dimensions are in inches

WT-E-9

BAND	Q	U	V	E	W
L	5.50	5.50	3.50	3.50	3.50
W	1.30	1.30	1.00	1.00	1.00
H	1.25	1.23	0.83	0.82	0.81
A	0.80	0.80	0.60	0.60	0.60

Dimensions are in inches

WT-E-10

Band	X	VR-75	Ku	K	Ka	Q	U	V	E	W
L	19.50	16.50	13.00	11.00	10.00	8.00	6.50	6.00	5.50	5.00
A	1.90	1.85	1.75	1.50	1.40	1.20	1.20	1.00	1.00	1.00
B	0.95	0.95	0.90	0.70	0.60	0.70	0.70	0.60	0.60	0.60
D	0.45	0.43	0.35	0.21	0.18	0.15	0.13	0.11	0.10	0.09

Dimensions are in inches

WT-E-11

Dimensions are in inches

WT-E-12

Dimensions are in inches

The flange pattern shown is for illustration purpose. Refer to Technical Reference Section for flange pattern details. The outline drawings shown are standard versions. Contact factory for your specific package requirements.